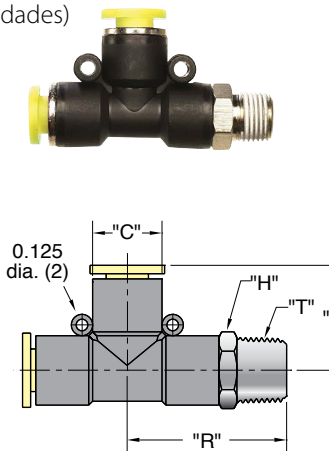


## T corrido

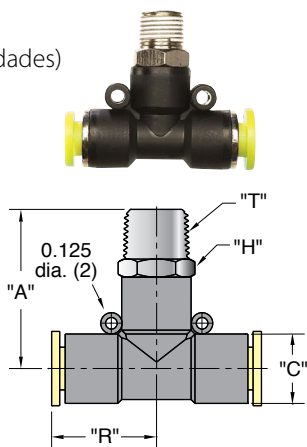
(paquete de 5 unidades)



Tubería	Rosca "T"	No. de parte	"A"	"C"	"H" Hex.	"R"
1/8"	1/8" NPT	PQ-RT04P	0.722"	0.410"	7/16"	0.980"
5/32"	#10-32 1/8" NPT	PQ-RT05N PQ-RT05P	0.722"	0.410"	7/16"	0.900" 0.980"
4 mm*	M5 x 0.8 R1/8	PQ-RT04M5 PQ-RT04MR	0.722"	0.410"	10 mm	0.900" 0.980"
6 mm*	M5 x 0.8 R1/8 R1/4	PQ-RT06M5 PQ-RT06MR PQ-RT06M2	0.830"	0.524"	12 mm 12 mm 14 mm	1.030" 1.100" 1.140"
1/4"	#10-32 1/8" NPT 1/4" NPT	PQ-RT08N PQ-RT08P PQ-RT08Q	0.840"	0.524"	1/2" 1/2" 9/16"	1.030" 1.100" 1.230"
5/16"	1/8" NPT 1/4" NPT 3/8" NPT	PQ-RT10P PQ-RT10Q PQ-RT10W	0.880"	0.580"	9/16" 9/16" 11/16"	1.100" 1.230" 1.290"
8 mm*	R1/8 R1/4 R3/8	PQ-RT08MR PQ-RT08M2 PQ-RT08M3	0.880"	0.580"	14 mm	1.290"
3/8"	1/8" NPT 1/4" NPT 3/8" NPT	PQ-RT12P PQ-RT12Q PQ-RT12W	1.100"	0.720"	11/16"	1.380" 1.470" 1.500"

## T bifurca

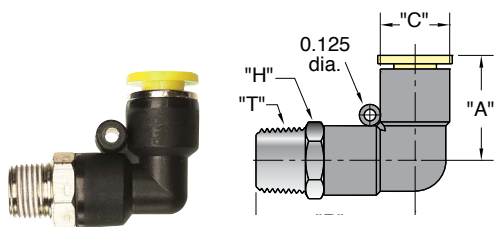
(paquete de 5 unidades)



Tubería	Rosca "T"	No. de parte	"A"	"C"	"H" Hex.	"R"
5/32"	#10-32 1/8" NPT	PQ-BT05N PQ-BT05P	0.900" 0.980"	0.410"	7/16"	0.722"
4 mm*	M5 x 0.8 R1/8	PQ-BT04M5 PQ-BT04MR	0.900" 0.980"	0.410"	10 mm	0.722"
6 mm*	M5 x 0.8 R1/8 R1/4	PQ-BT06M5 PQ-BT06MR PQ-BT06M2	1.030" 1.100" 1.140"	0.524"	12 mm 12 mm 14 mm	0.830" 0.830" 0.830"
1/4"	#10-32 1/8" NPT 1/4" NPT	PQ-BT08N PQ-BT08P PQ-BT08Q	1.030" 1.100" 1.230"	0.524"	1/2" 1/2" 9/16"	0.840" 0.840" 0.840"
5/16"	1/8" NPT 1/4" NPT	PQ-BT10P PQ-BT10Q	1.100" 1.230"	0.580"	9/16"	0.880"
8 mm*	R1/8 R1/4 R3/8	PQ-BT08MR PQ-BT08M2 PQ-BT08M3	1.290"	0.580"	14 mm	0.880"
3/8"	1/8" NPT 1/4" NPT 3/8" NPT	PQ-BT12P PQ-BT12Q PQ-BT12W	1.290" 1.470" 1.500"	0.720"	11/16"	1.100"

## Codo macho

(paquete de 10 unidades)



Tubería	Rosca "T"	No. de parte	"A"	"C"	"H" Hex.	"R"
1/8"	#10-32 1/8" NPT	PQ-ME04N PQ-ME04P	0.722"	0.410"	7/16"	0.900" 0.980"
5/32"	#10-32 1/8" NPT 1/4" NPT	PQ-ME05N PQ-ME05P PQ-ME05Q	0.722"	0.410"	7/16"	0.900" 0.980" 1.130"
4 mm*	M5 x 0.8 R1/8	PQ-ME04M5 PQ-ME04MR	0.722"	0.410"	10 mm	0.900" 0.980"
6 mm*	M5 x 0.8 R1/8 R1/4	PQ-ME06M5 PQ-ME06MR PQ-ME06M2	0.830"	0.524"	12 mm 12 mm 14 mm	1.030" 1.100" 1.140"
1/4"	#10-32 1/8" NPT 1/4" NPT 3/8" NPT	PQ-ME08N PQ-ME08P PQ-ME08Q PQ-ME08W	0.840"	0.524"	1/2" 1/2" 9/16" 11/16"	1.030" 1.100" 1.230" 1.290"
5/16"	1/8" NPT 1/4" NPT 3/8" NPT	PQ-ME10P PQ-ME10Q PQ-ME10W	0.880"	0.580"	9/16" 9/16" 11/16"	1.100" 1.230" 1.290"
8 mm*	R1/8 R1/4 R3/8	PQ-ME08MR PQ-ME08M2 PQ-ME08M3	0.880"	0.580"	14 mm	1.290"
3/8"	1/8" NPT 1/4" NPT 3/8" NPT	PQ-ME12P PQ-ME12Q PQ-ME12W	1.100"	0.720"	11/16" 11/16" 11/16"	1.350" 1.470" 1.500"
1/2"	1/4" NPT 3/8" NPT 1/2" NPT	PQ-ME16Q PQ-ME16W PQ-ME16Z	1.160"	0.850"	7/8"	1.550" 1.580" 1.670"

\* Los conectores tienen un botón de liberación verde.

Nota: Los conectores con rosca para tuberías NPT, R1/8, R1/4 y R3/8 se suministran con sellador pre aplicado.